

# L 331 S

Anthracite  
EAN 4007841 053093  
Article number 053093



LED

30 years (0 4,5h / day)

3000 K

3000K warm-white



infrared sensor  
360°



max. 7 m



IP44



2 - 1000 lux



5 sec - 15 min



Light source not  
exchangeable



Control gear not  
exchangeable



soft light start

## Function description

Rugged all round. Rugged sensor-switched LED light in weatherproof plastic and impact-resistant PMMA diffuser, including additional grid guard. With its round shape, 3000 K colour temperature and 711 lm from only 8,4 W, the L 331 S provides optimum lighting all around the building. Several lights can be interconnected by cable. Infrared mini-sensor with four programs. Angle of coverage: 360°. Reach max. 7 m.

## Technical specifications

Dimensions (L x W x H)	124 x 253 x 270 mm	Cover material	shrouds
With lamp	Yes, STEINEL LED system	Luminous flux total product	711 lm
Manufacturer's Warranty	5 years	Measured luminous flux (360°)	711 lm
Settings via	Potentiometers	Total product efficiency	85 lm/W
With remote control	No	Colour temperature	3000 K
Version	Anthracite	Colour variation LED	SDCM3
PU1, EAN	4007841053093	Lamp	LED cannot be replaced
Application, place	Outdoors	LED life expectancy (max. °C)	50000 h
Application, room	outdoors, front door, all round the building, courtyard & driveway	Service life LED L70B50 (25°)	> 60000 h
Colour	Anthracite	Base	without
Installation site	wall	LED cooling system	Passive Thermo Control
Impact resistance	IK10	Soft light start	Yes
IP-rating	IP44	Continuous light	selectable, 4h
Protection class	II	Functions	4 programme settings geared to practical needs, can be selected on removable sensor module
Ambient temperature	from -20 up to 35 °C	Twilight setting	2 - 1000 lx
Housing material	Plastic	Time setting	5 s - 15 Min.

# L 331 S

Anthracite  
 EAN 4007841 053093  
 Article number 053093



## Technical specifications

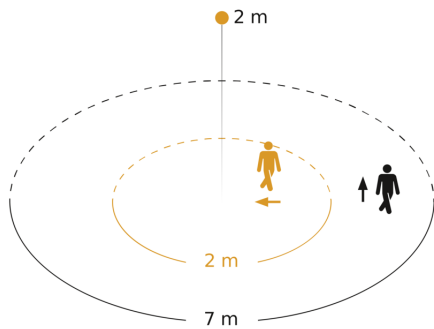
Cover material	Plastic, opal
Mains power supply	220 – 240 V / 50 – 60 Hz
Output	8,4 W
Average rated life expectancy of power supply unit at 25°C	> 60000 h
Mounting height max.	2,50 m
Slave modeselectable	No
Sneak-by guard	Yes
Capability of masking out individual segments	Yes
Electronic scalability	No
Mechanical scalability	No
Reach, radial	r = 2 m (13 m <sup>2</sup> )
Reach, tangential	r = 7 m (154 m <sup>2</sup> )
Photo-cell controller	Yes

Basic light level function	Yes
Basic light level function time	10/30 min, all night
Interconnection	Yes
Type of interconnection	Master/master
Basic light level function in per cent	10 %
Basic light level function percentage, from	10 %
Basic light level function percentage, up to	10 %
Interconnection via	Cable
Colour Rendering Index CRI	= 82
Optimum mounting height	2 m
Detection angle	360 °
Product category	Sensor-switched LED outdoor light

# L 331 S

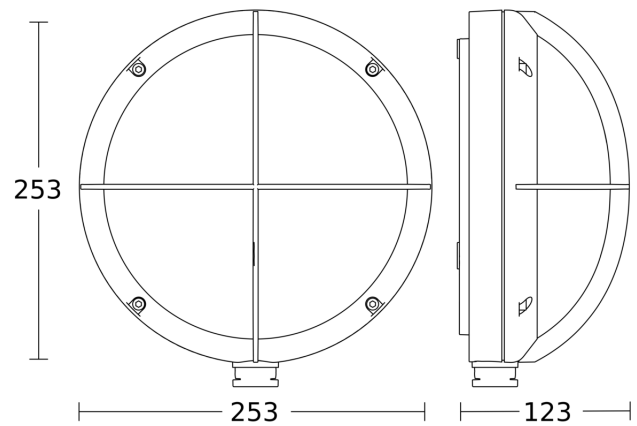
Anthracite  
 EAN 4007841 053093  
 Article number 053093

## Detection Zone

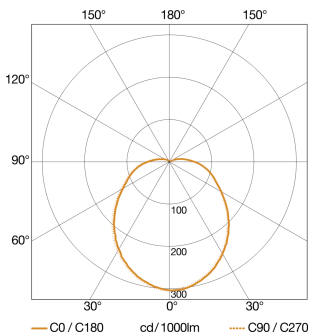


Possible mounting height: 1,80 m - 2,50 m  
 Orange: radial  
 Black: tangential

## Dimension Drawing

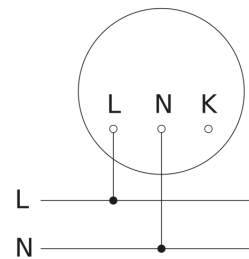


## Light Distribution Curve



<b>Output</b>	8,4 W
<b>With lamp</b>	Yes, STEINEL LED system
<b>Lamp</b>	LED cannot be replaced
<b>Measured luminous flux (360°)</b>	711 lm
<b>Colour temperature</b>	3000 K
<b>Colour Rendering Index</b>	= 82
<b>LED life expectancy (max. °C)</b>	50000 h
<b>LED cooling system</b>	Passive Thermo Control

## Master circuit diagram



# L 331 S

Anthracite

EAN 4007841 053093

Article number 053093

## Master/master interconnection circuit diagram

